

BKPool 500

Indoor Pool Dehumidifier



Standard Features

- * Integral dehumidifier heat pipe (Patent 5,845,702 and others)
- * 100% stainless steel cabinet
- * High efficiency "scroll" compressor
- * Proprietary chemical grafting corrosion protection
- * 25% fresh air capable
- * Stainless steel condensate drain pan
- * Fully enclosed electrical box
- * Fully lined mold resistant insulation
- * Direct drive heavy duty blower
- * Oversized receiver / accumulator
- * Oversized filter dryer
- * 2" extended surface pleated filters

 **Heat Pipe
Technology, Inc.**

"A World of Difference."

Performance Table - BKPool 500

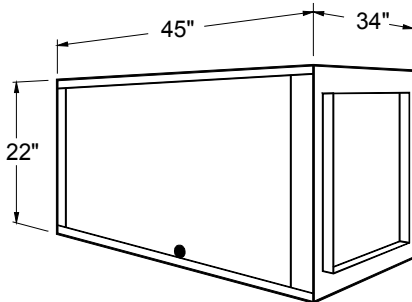
Inlet Air Temp	POUNDS PER DAY	INLET RELATIVE HUMIDITY						
		40%	50%	60%	70%	80%	90%	100%
55°F		•••	•••	•••	•••	•••	•••	338
60°F		•••	•••	•••	266	338	397	435
65°F		•••	203	280	343	435	484	542
70°F		145	261	353	421	512	580	633
75°F		203	319	421	498	580	653	•••
80°F		266	377	484	570	•••	•••	•••
85°F		319	411	532	•••	•••	•••	•••
90°F		363	•••	•••	•••	•••	•••	•••

••• Contact factory.

Performance data may vary with conditions at each installation and is provided only as a guide for selecting the correct dehumidifier.

Specifications

BKPool 500



Model	500
Dimensions (WxHxD) (in.)	45 x 22 x 34
Net Weight (lbs)	290
Air Flow (cfm)	1,000
Refrigerant	R-22
Condensate Pump*	Optional
Drain Connection Size	3/4" NPT
Heat Added to Space (Btu/hr)	12,000
Blower Size (Dia. x w) (in.)	10 x 8
Ext. Static Pressure (in WG)	0.5
Outlet Air (WxH) (in.)	10 1/2 x 11 3/8
Inlet Air (WxH) (in.)	27 x 19
Filter (in.)	2) 16 x 16 x 2
<i>Electrical</i>	
Power 60 Hz	208-230V/1 ph
Compressor RLA (A)	20.4
Compressor LRA (A)	109
Blower Motor Power (HP)	1/2
Max. Fuse or HACR Circuit Breaker (A)	45
Min. Circuit Ampacity (A)	29
Normal Operating Power Consumption (Kw)	3.5

* Shipped separate for installation by contractor.
We reserve the right to make product improvements



4340 NE 49th Ave., Gainesville, Florida 32609
Toll Free: 1-800-393-3464 ❖ Tel. (352) 367-0999 ❖ Fax: (352) 367-1688
Email: heatpipe@heatpipe.com ❖ www.heatpipe.com