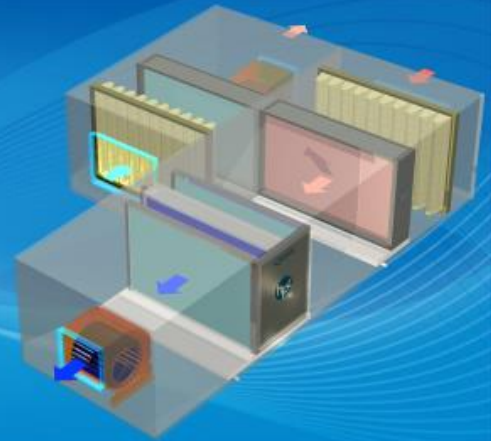




# SOLUTIONS

*Tips for Enhancing  
Heat Pipe Design*



## *September 2016 - In This Issue:*

**HPT Recently Shipped Several  
Wrap-Around and Energy  
Recovery Heat Pipes**

.....  
**HPT to Exhibit Its Products at the  
Upcoming WEEC Event**

.....  
**If You Missed It... New White Paper  
on Effectively Controlling Wrap-  
Around Heat Pipes**

.....  
**SelectPlus Training Series: Design  
Strategy for DOAS Neutral Air  
Units**



## **Providing energy savings solutions to the world market**

Our knowledgeable, worldwide rep  
network will work with you to implement

---

**HPT Recently Shipped Several  
Wrap-Around and Energy Recovery  
Heat Pipes to an Overseas Casino  
Resort**

our technology for both dehumidification and energy recovery applications.

**Find a representative in your area.**



*This newsletter is a service of HPT, Inc. It is meant to familiarize users with heat pipe technology, and how to select heat pipe systems using SelectPlus™ design software.*

 **SelectPlus™  
Design Software**  
Heat Pipe Selection and Optimization on Demand  
A direct pipeline to savings



[Click Here to Get Your  
User Name and Password](#)



Heat Pipe Technology is currently supplying a large number of dehumidification heat pipes (DHPs) and heat recovery modules (HRMs) to a large resort casino complex in South East Asia. HPT was the basis of design for this landmark project due to our experience in the region and good reputation. Moreover, our heat recovery heat pipes were the product of choice for this casino environment due to cross-contamination concerns of the outside air with smoke laden exhaust air. The dehumidifier heat pipes were also chosen due to the high humidity of the tropical environment where the casino resort is located.

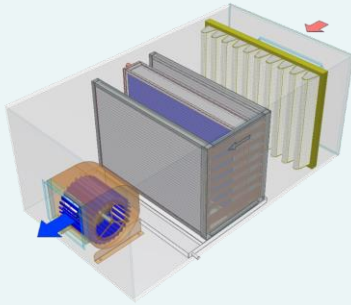
Both heat recovery and dehumidification heat pipe units will help reduce the cooling and heating load. The DHPs will also provide free reheat, which will further help the resort with energy costs. There is a total of 62 DHPs and 84 HRMs on this project, Partial deliveries were made to keep pace with construction. The final phase heat pipes will be delivered later this year.

More on this project in future editions of Solutions newsletters..

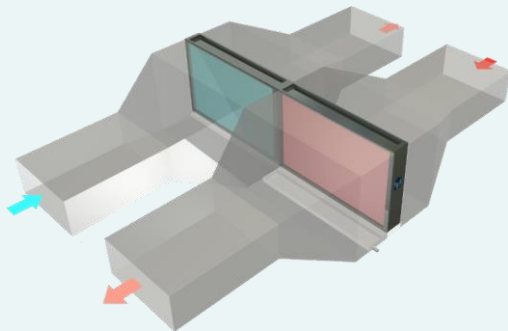
[Click to email for more info](#)

---

**HPT to Exhibit Its Products at the  
Upcoming WEEC Event**



[Click here to read more about the DHP Series](#)



[Click here to read more about the HRM Series](#)

**\*\*NEW WHITE PAPER\*\***  
**EFFECTIVELY CONTROLLING**  
**WRAP-AROUND HEAT PIPES**



The World Energy Engineering Congress (WEEC) is the largest energy conference and technology expo held in the U.S. specifically for business, industrial and institutional energy users. It brings together the top experts in all areas of the field to help the visitor set a clear, optimum path to energy efficiency, facility optimization and sustainability.

The WEEC will be held at the Walter E. Washington Convention Center in Washington DC on Sept 21-23. HPT has been exhibiting its products for the past several years and will do so again this year. We will be located in booth #434 on Sept. 21-22. Please come out and see us!

---

### **\*Upcoming Webinar\* The Wonderful World of Heat Pipes and How They Can Be Utilized to Meet the Florida Building Code**

HPT will be hosting an in-depth webinar in which Drew Elsberry, Regional Sales Manager for the east U.S., Canada, and Caribbean, will take a closer look at how heat pipes can be used to meet the Florida Building Code by covering:

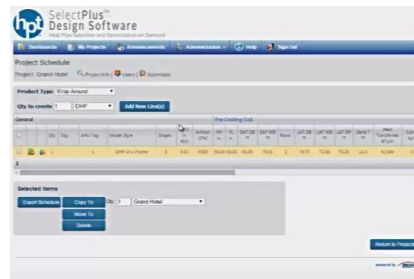
- Code requirements and how they apply to ASHRAE Std. 90.1...and therefore other states.
- How heat pipes can be utilized to meet these code requirements.
- How wrap-around heat pipes compare to ERV's.
- How control valves offer more than just controllability.

The webinar will take place on September 29th at 2:00 pm EDT. Stay tuned for an invitation to register for this event.

[Click to email for more info](#)



## SelectPlus™ Training Series: Design Strategy for DOAS Units with Neutral Air



This video is part of our continuing training series for HPT's SelectPlus™ online selection software. The video will guide users on how to select a wrap-around heat pipe for a Dedicated Outside Air System to supply neutral air to a space. Users will also be shown how to perform a bin analysis for this type of system in order to get a better idea of how the wrap-around heat pipe will perform with varying temperature conditions. To see the full video please click the link below.

[Click to View Video](#)

Missed a newsletter? [Visit our archives](#)

Want to learn more about our technology? [Visit our website](#)

Not a SelectPlus User? [Click here](#)

Heat Pipe Technology, Inc., 6904 Parke East Blvd., Tampa, FL 33610

[SafeUnsubscribe™ hannah@heatpipe.com](#)

[Forward this email](#) | [Update Profile](#) | [About our service provider](#)

Sent by [info@heatpipe.com](mailto:info@heatpipe.com) in collaboration with



Try it free today