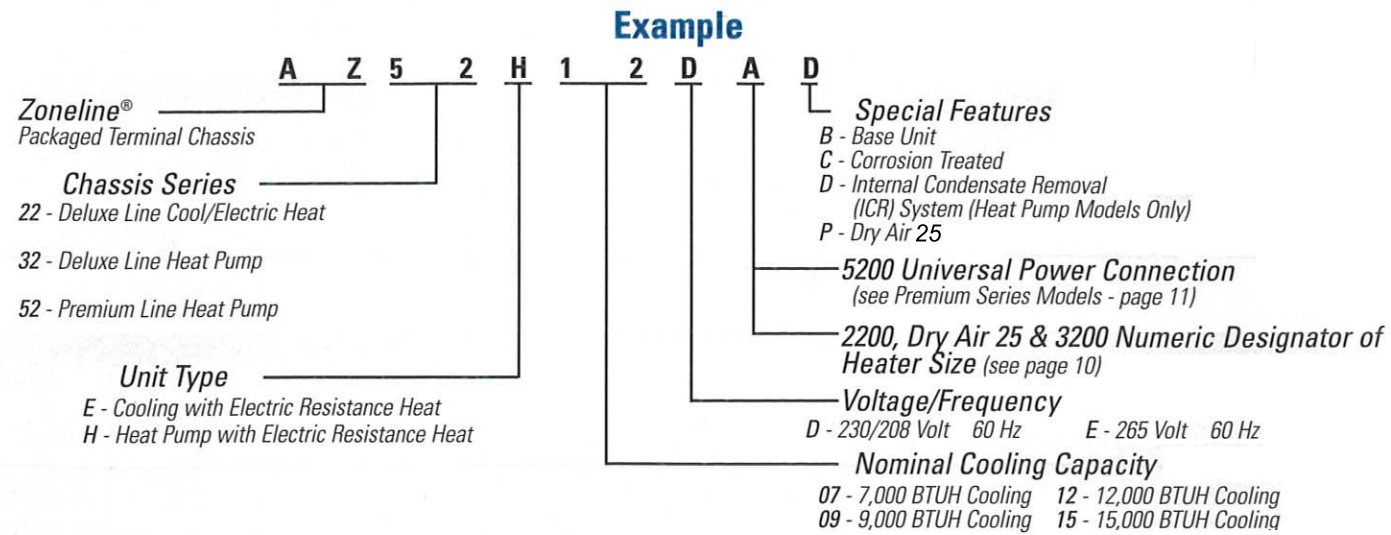


ZONELINE® CHASSIS NOMENCLATURE

The Zoneline chassis is identified by a model number defining the type of unit, cooling capacity, electrical information and optional features included on the unit. When specifying or ordering the Zoneline chassis the use of this nomenclature will assure receiving the correct unit.



ZONELINE® WARRANTY

WHAT IS COVERED

FULL ONE-YEAR WARRANTY

For one year from date of original purchase, we will provide, free of charge, parts and service labor on site to repair or replace **any part of the Zoneline** that fails because of a manufacturing defect.

FULL FIVE-YEAR WARRANTY

For five years from the date of original purchase, we will provide, free of charge, parts and on-site service labor to repair or replace **any part of the sealed refrigerating system** (the compressor, condenser, evaporator and all connecting tubing) that fails because of a manufacturing defect.

SEE WRITTEN WARRANTY FOR DETAILS

LIMITED 2ND THROUGH 5TH YEAR PARTS WARRANTY

For the second through the fifth year from date of original purchase, General Electric will provide, free of charge, parts that fail as a result of a manufacturing defect. Parts covered are fan motors, switches, thermostat, heater, heater protectors, compressor overload, solenoids, circuit boards, auxiliary controls, thermistors, Freeze Sentinel, frost controls, ICR pump, capacitors, varistors, and indoor blower bearing. This is a limited parts-only warranty, and does not include labor or transportation to and from the service shop.

All warranty service will be provided by our Factory Service Centers or by our authorized Customer Care® servicers during normal working hours.



Listed by Underwriters Laboratories.



GE has a policy of continuous improvement on its products and reserves the right to change materials and specifications without notice.

Zoneline® Packaged Terminal Units Specifications

For detailed information on operating specifications, installation data and accessories, see the *GE Zoneline Architects and Engineers Design Data Manual*. (Pub. No. 20-S007P)

For answers to your GE appliance questions, call GE Answer Center,® service 800.626.2000

For GE appliance service in the US, call 1-800-GE-CARES
In Canada call 1-800-361-3400



GE Appliances

THE QUIETEST ZONELINE® EVER!



FEATURING THE NEW DRY AIR 25 SERIES



We bring good things to life.